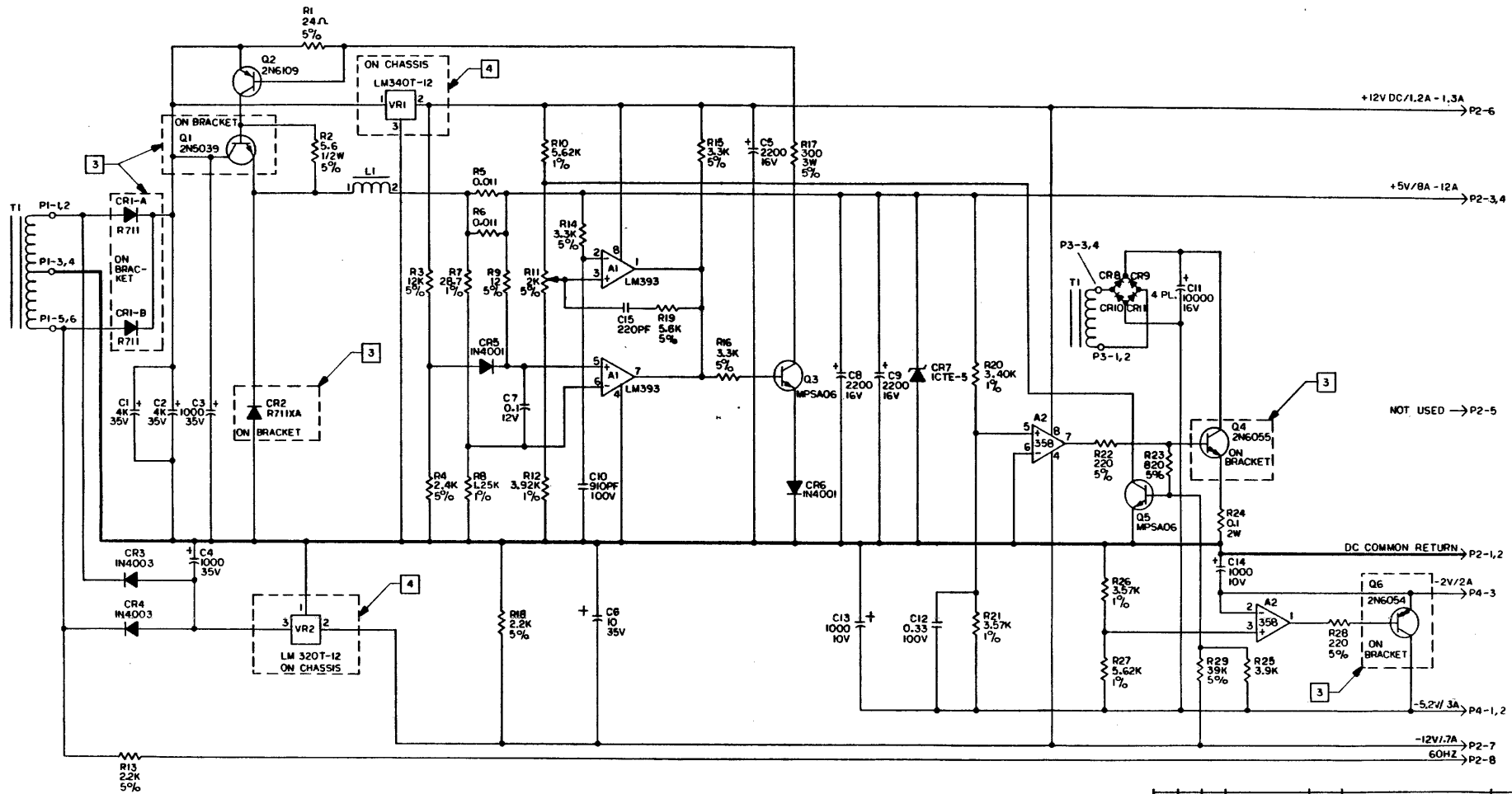


REVISIONS			
ISSUE	DESCRIPTION	DATE	APPROVED
A	PROD REL ECO 2154	1/80	[Signature]
B	ECO 2172	1/80	[Signature]



- NOTES:  
 UNLESS OTHERWISE SPECIFIED.  
 1. ALL RESISTORS ARE 1/4 WATT AND IN OHMS.  
 2. ALL CAPACITANCE ARE IN MICROFARADS.  
 3. TRANSISTORS AND DIODES CONNECT TO PWA THRU HEATSINK BRACKET.  
 4. VOLTAGE REGULATORS STAND UP AND MOUNT TO SIDE OF CHASSIS.

-01 CONFIG.  
 767

Q1	Q2	Q3	PART NUMBER	CODE IDENT	DESCRIPTION	ITEM NO.
02	120107-02	512 P.S.				
01	120107-01	767 P.S.				

TOLERANCE UNLESS OTHERWISE SPECIFIED	MATERIAL	PARTS LIST	QTY
XX -1 -			
XXX -1 -			
ANGULAR			

DRAWING TITLE		
SCHEMATIC POWER SUPPLY 512/767		

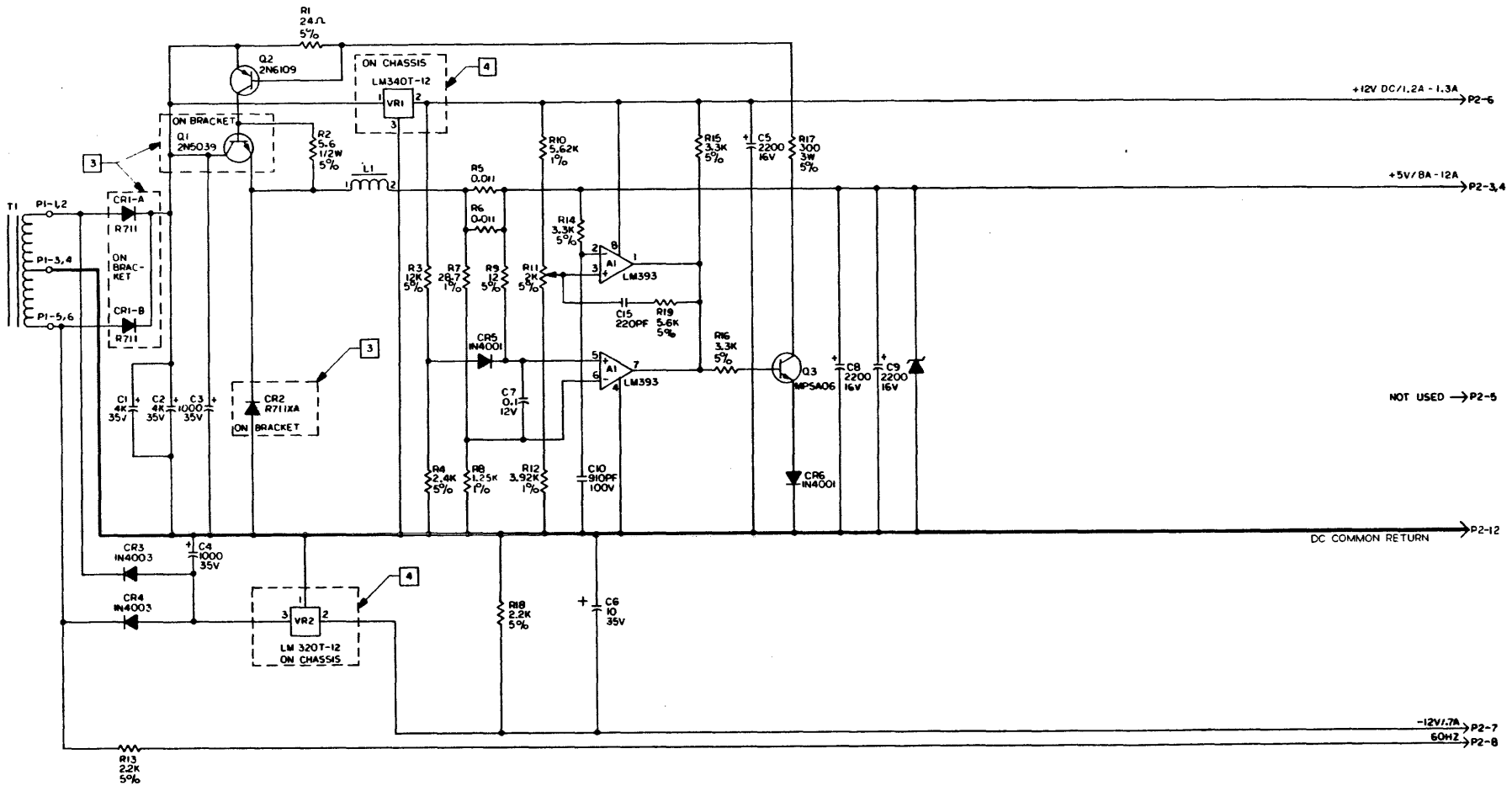
DRAWING NO.	NEXT ASSY.	USED ON	ADVANCED ELECTRONICS DESIGN, INC.	SCALE	REVISION
			SUNNYVALE, CALIF. 94088		

APPROVED	DATE	BY
[Signature]		

ADVANCED ELECTRONICS DESIGN, INC. SUNNYVALE, CALIF. 94088

D 120108-XX E

SHEET 1 OF 2



-02 CONFIG.  
512

12C1C8-XX  
 REV. 12-82